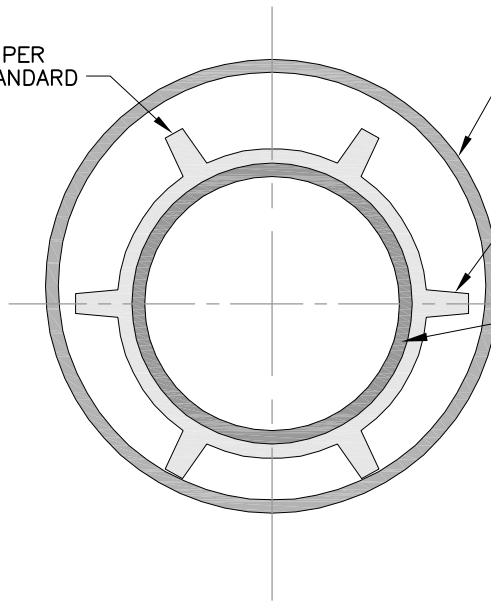


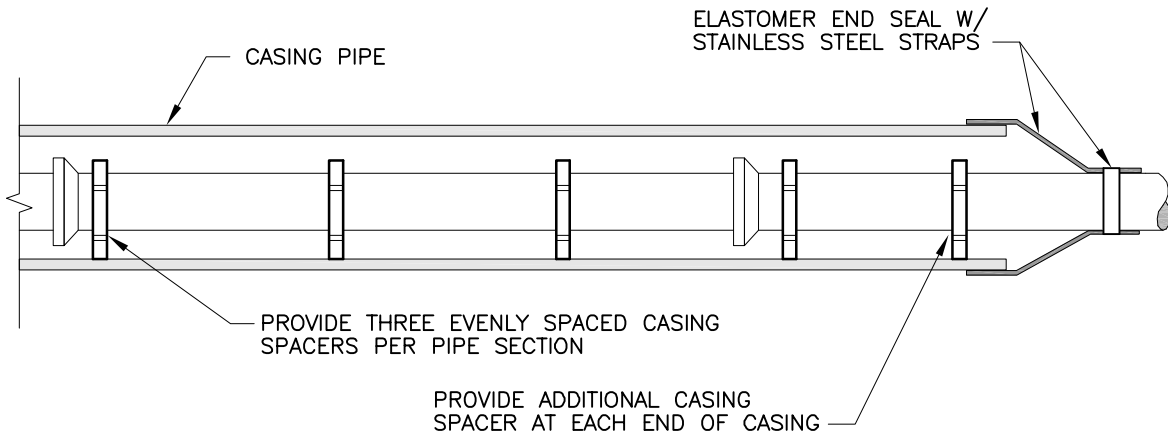
NUMBER OF RISERS PER
MANUFACTURER'S STANDARD



CASING PIPE

CASING SPACERS
STRAPPED TO CARRIER PIPE

CARRIER PIPE



ELASTOMER END SEAL W/
STAINLESS STEEL STRAPS

CASING PIPE

PROVIDE THREE EVENLY SPACED CASING
SPACERS PER PIPE SECTION

PROVIDE ADDITIONAL CASING
SPACER AT EACH END OF CASING